

BK New BK Cable clamp series



Model No		Cable diameter Φ (mm)	Dimensional(mm)	
Galvanized steel	Stainless steel		B	H
BK14	BK14E	6-12	21	70
BK18	BK18 E	12-18	23	70
BK22	BK22 E	18-22	27	75
BK30	BK30 E	22-30	39	85
BK38	BK38 E	30-38	45	90
BK42	BK42E	38-42	47	95
BK50	BK50E	42-50	57	120
BK64	BK64 E	50-64	70	130
BK70	BK70 E	64-72	77	165
BK80	BK80 E	72-82	87	183
BK100	BK100 E	95-102	108	217

IF001 Adhesive tape for panel



IF001-16x3 / 5 / 7

IF001-16x3	IF001-16x5	IF001-16x7

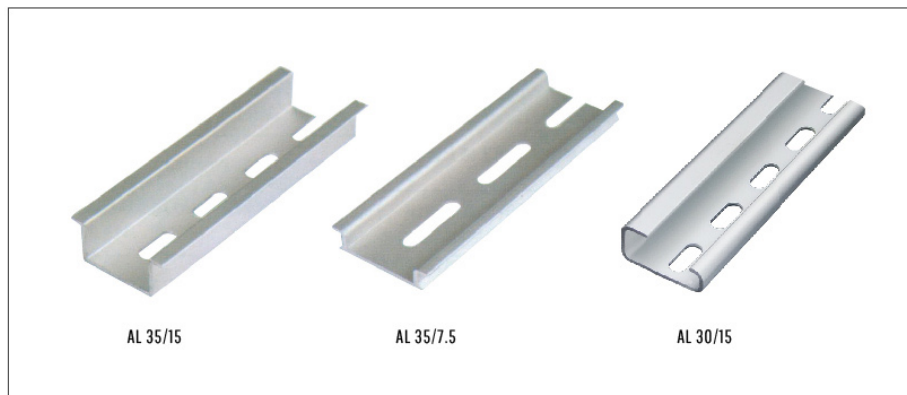
Aluminum DIN rail and accessories

Aluminum DIN rail

AL 35/15 thickness : 1.5mm

AL 35/7.5 thickness : 1.1mm or 1.5mm

AL 30/15 thickness : 1mm or 2mm



DIN rail retainer TSTW

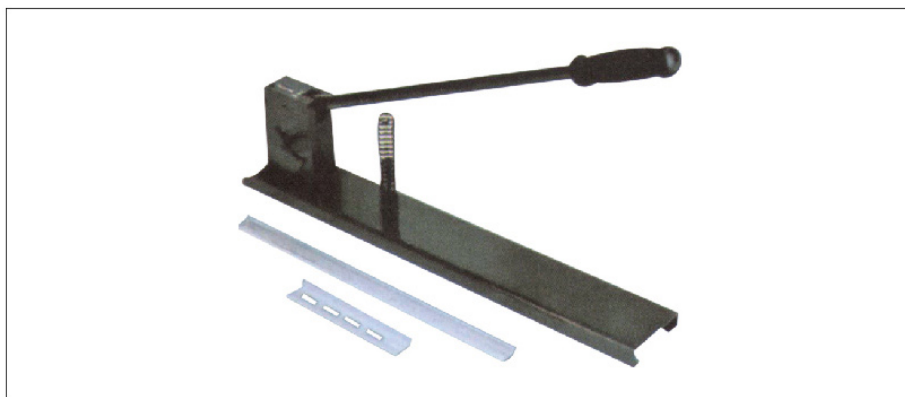
Thickness : 2mm



DIN rail cutter

For: Aluminum Din rail NSL35/7.5 (1.5mm)

Aluminum Din rail NSL35/7.5 (1mm)

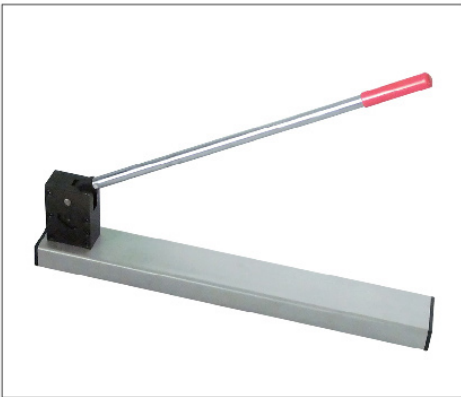




LKWC-001

LKWC-001 wiring duct cutter

Used to cut wiring duct and cover, Max available width: 125mm.
High strength cutting blade, anti-abrasion.
High efficient, free of burrs after cutting.



LKDC-002

LKDC-002 Standard Din Rail Cutter

Used for: Din Rail 35(W)×7.5(H)×1.0(T)mm or 35(W)×15(H)×1.5(T)mm, customizable for other size Din Rail.
Use Method and Notes:

- Lift the handle, insert the Din Rail into the matching cavity, make it vertical to the cavity surface at the same time and Din Rail will go through, press the handle, Din Rail will be cut off.
 - Choose the flat ground during the operation, it ensures the cutter base bear stress evenly and reduces the stress on cavity.
-



LKDC-003

LKDC-003 Bench Type Din Rail Cutter

This cutter needs to be installed on a workbench, it can cut any size Din Rail with the assistance of a measure gauge. Humanization design, no need to bend over when operate it. Use Method and Notes:

- Lift the handle, insert the Din Rail into the matching cavity, make it vertical to the cavity surface at the same time and Din Rail will go through, press the handle, Din Rail will be cut off.
 - Choose the flat ground during the operation, it ensures the cutter base bear stress evenly and reduces the stress on cavity.
 - This cutter needs to be installed in the workbench, which also makes cutting guide rail more relaxed, no longer need to bend over for a long time to work, humanized design.
-