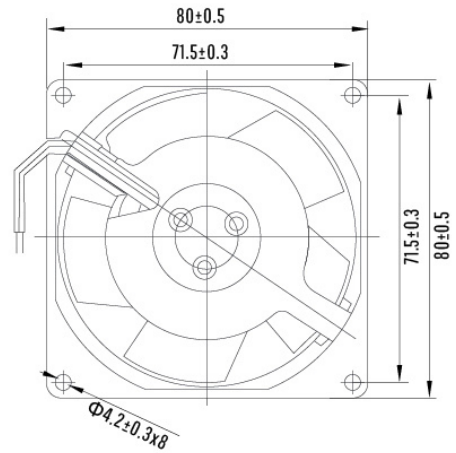
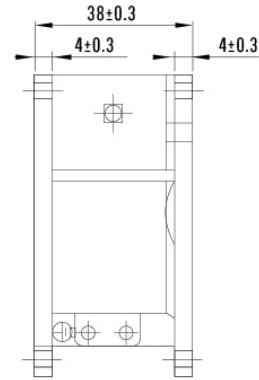


# F2E 80S/B Multiplane fan

80x80x38mm



## Dimensions



Motor Structure	Shaded pole motor.
Safety	Impedance Protected
Operation System	Dual high Precision ball bearings. (single sleeve bearing)
Allowable Ambient Temperature Range	(under unconcretionary condition) -20~+65°C(ball bearing) , -10~+45°C.(Sleeve bearing)
Insulation	B Class
Protection Grade	IP34

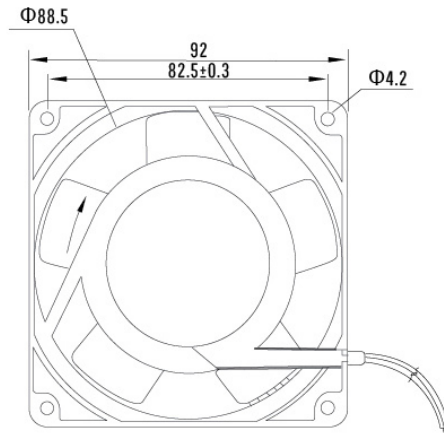
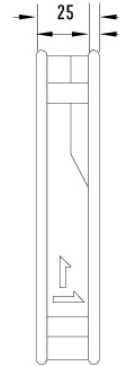
Type	F2E-80S/B-230	F2E-80S/B-115
Bearing	Sleeve/Ball	Sleeve/Ball
Rated operating voltage(V)	220/230	110/115
Rated frequency(Hz)	50/60	50/60
Rated current max.(A)	0.06-0.07	0.13-0.15
Rated Power(w)	15-12	15-12
Speed(RPM)	2600-3000	2600-3000
Wind volume(m³/h)	45-55	45-55
Noise dB(A)	29-35	29-35
Weight(g)	335g	335g

# F2E 92S/B Multiplane fan

92x92x25mm



## Dimensions



Motor Structure	Shaded pole motor.
Safety	Impedance Protected
Operation System	Dual high Precision ball bearings.(single sleeve bearing)
Allowable Ambient Temperature Range	(under unconcretionary condition) -20-+65°C(ball bearing) , -10-+45°C.(Sleeve bearing)
Insulation	B Class
Protection Grade	IP34

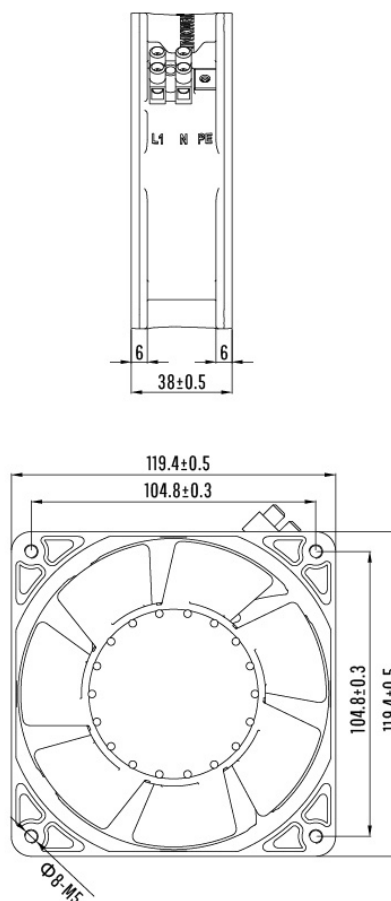
Type	F2E-92S/B-230	F2E-92S/B-115
Bearing	Sleeve/Ball	Sleeve/Ball
Rated operating voltage(V)	220/230	110/115
Rated frequency(Hz)	50/60	50/60
Rated current max.(A)	0.07-0.08	0.12-0.14
Rated Power(w)	13.2-15.4	13.2-15.4
Speed(RPM)	2200-2600	2200-2600
Wind volume(m <sup>3</sup> /h)	60-68	60-68
Noise dB(A)	29-35	29-35
Weight(g)	255g	255g

# F2E 120S/B Multiplane fan

120x120x38mm



## Dimensions



Motor Structure	Shaded pole motor.
Safety	Impedance Protected
Operation System	Dual high Precision ball bearings. (single sleeve bearing)
Allowable Ambient Temperature Range	(under unconcretionary condition) -20-+65°C(ball bearing) , -10-+45°C.(Sleeve bearing)
Insulation	B Class
Protection Grade	IP34

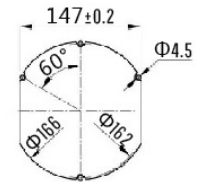
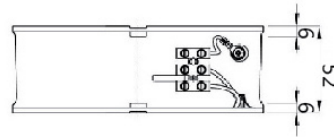
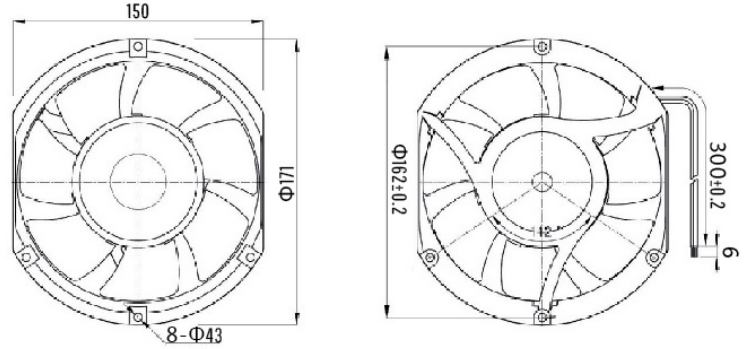
Type	F2E-120S/B-230	F2E-120S/B-115
Bearing	Sleeve/Ball	Sleeve/Ball
Rated operating voltage(V)	220-230	110-115
Rated frequency(Hz)	50/60	50/60
Rated current max.(A)	0.12-0.10	0.24-0.20
Rated Power(w)	19-14	18-15
Speed(RPM)	2500-2700	2500-2800
Wind volume(m³/h)	145-160	145-170
Noise dB(A)	34-37	34-37
Weight(g)	530g	510g

# F2E 150S/B Multiplane fan

Φ 150×51mm



## Dimensions



安装开口尺寸图

Motor Structure	Shaded pole motor.
Safety	Impedance Protected
Operation System	Dual high Precision ball bearings. (single sleeve bearing)
Allowable Ambient Temperature Range	(under unconcretionary condition) -25-+65°C(ball bearing) , -25-+65°C.(Sleeve bearing)
Insulation	B Class
Protection Grade	IP34

Type	F2E-150S/B-230	F2E-150S/B-115
Bearing	Sleeve/Ball	Sleeve/Ball
Rated operating voltage(V)	220-230	110-115
Rated frequency(Hz)	50/60	50/60
Rated current max.(A)	0.19-0.17	0.48-0.46
Rated Power(w)	38-36	41-38
Speed(RPM)	2500-2800	2500-2800
Wind volume(m <sup>3</sup> /h)	402-460	402-460m
Noise dB(A)	50	50
Weight(g)	900g	880g

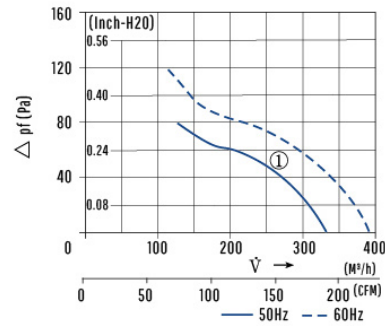
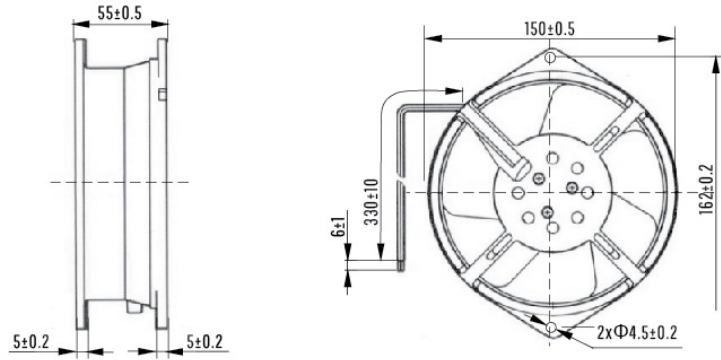
# F2E 162B Multiplane fan

172×162×51mm



Metal Blades

## Dimensions



Motor Structure	Shaded pole motor.
Safety	Impedance Protected
Operation System	Dual high Precision ball bearings. (single sleeve bearing)
Allowable Ambient Temperature Range	-25~+80 °C
Insulation	F
Protection degree	IP44
Material	Aluminum alloy molding, surface silver treatment, metal plate forming, welding on motor rotor.
Impeller	Black anti-corrosion treatment, metal blades.
Bearing Type	B: Ball
Power Connection	Terminal connection

Type	F2E-162B-230	F2E-162B-115
Bearing	Ball	Ball
Rated operating voltage(V)	220-230	110-115
Rated frequency(Hz)	50/60	50/60
Rated current max.(A)	0.20-0.26	0.42-0.51
Rated Power(w)	53-43	40-35
Speed(RPM)	2700-3000	2700-3000
Wind volume(m³/h)	325-380	325-380
Noise dB(A)	48-52	48-52
Weight(g)	1100g	1100g

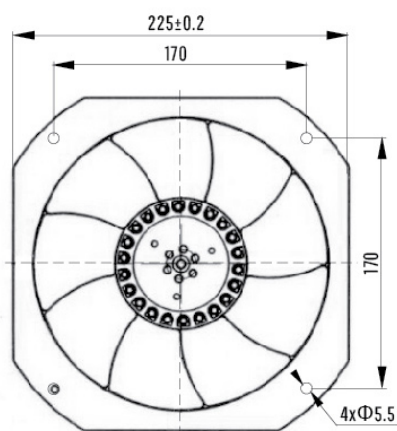
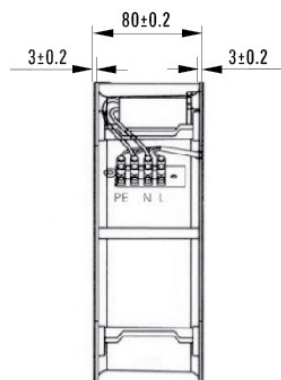
# F2E 260B Multiplane fan

260×225×80mm



Metal Blades

## Dimensions



Motor Structure	Cage type structure motor.
Safety	Impedance Protected
Operation System	Dual high Precision ball bearings. (single sleeve bearing)
Allowable Ambient Temperature Range	(under unconcretionary condition) -20-+65°C(ball bearing) , -10-+45°C.(Sleeve bearing)
Insulation	B Class
Protection Grade	IP34

Type	F2E-260B-230	F2E-260B-115
Bearing	Ball	Ball
Rated operating voltage(V)	220-230	110-115
Rated frequency(Hz)	50/60	50/60
Rated current max.(A)	0.34-0.29	0.63-0.61
Rated Power(w)	63-79	61-71
Speed(RPM)	2450-2700	2500-2750
Wind volume(m³/h)	915-1010	925-1030
Noise dB(A)	59-61	59-61
Weight(g)	2200g	2200g



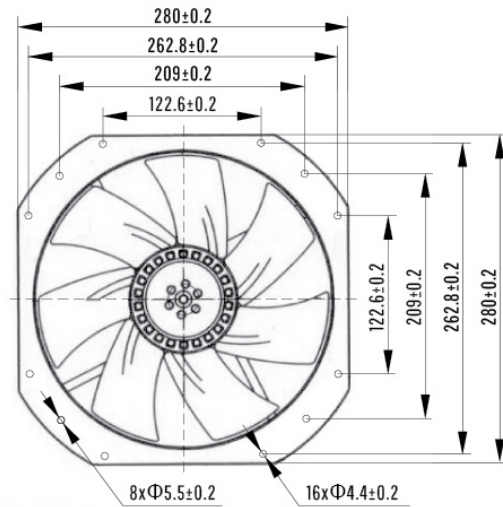
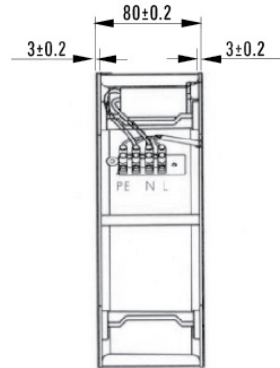
# F2E 320B Multiplane fan

320×280×80mm



Metal Blades

## Dimensions



Motor Structure	Cage type structure motor.
Safety	Impedance Protected
Operation System	Dual high Precision ball bearings. (single sleeve bearing)
Allowable Ambient Temperature Range	(under unconcretionary condition) -20-+65°C(ball bearing) , -10-+45°C.(Sleeve bearing)
Insulation	B Class
Protection Grade	IP34

Type	F2E-320B-230	F2E-320B-115
Bearing	Ball	Ball
Rated operating voltage(V)	220-230	110-115
Rated frequency(Hz)	50/60	50/60
Rated current max.(A)	0.46-0.60	0.95-1.20
Rated Power(w)	140-100	140-100
Speed(RPM)	2500-2650	2480-2600
Wind volume(m <sup>3</sup> /h)	1800-1950	1800-1950
Noise dB(A)	68-70	68-70
Weight(g)	2900g	2900g